

## Flat Adjustable Tension Levers

Stainless Steel, with Internal Thread / with Threaded Stud

### SPECIFICATION

#### Types

- Type **D**: Straight lever
- Type **E**: Angled lever

#### Hub / Shaft

Stainless steel AISI 303  
Matte shot-blasted

#### Insert

Stainless steel AISI 303

#### Cover

Plastic, polyvinyl chloride (PVC-U)  
Light gray

#### Ball knob DIN 319 (see page 538)

Plastic, phenolic resin (PF)  
Black, shiny finish

#### Safety circlip

Plastic, polyacetal (POM)



### INFORMATION

The overall height of flat adjustable tension levers GN 125.5 is reduced to a minimum.

As all other adjustable levers, they are ideal whenever parts have to be clamped in a confined space, or a particular lever position is required. The threaded insert is connected with the hub via serrations which can be disengaged.

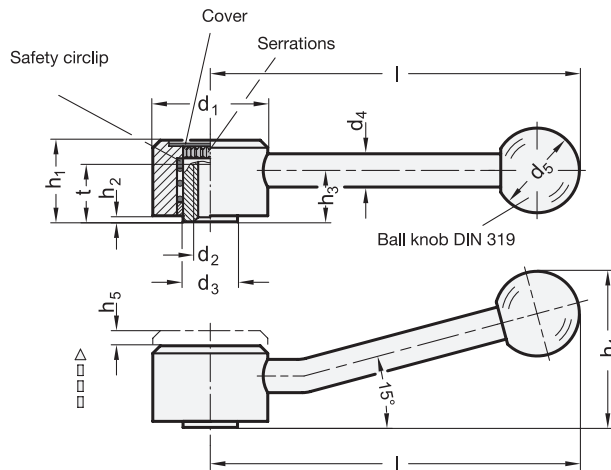
Pulling the lever, disengages the serrations and the lever can be swivelled to the ideal clamping position. On releasing the lever it will automatically re-engage.

### ON REQUEST

- With threaded through hole

### TECHNICAL INFORMATION

- Plastic Characteristics (see page A2)
- Stainless Steel Characteristics (see page A26)



\* Complete with

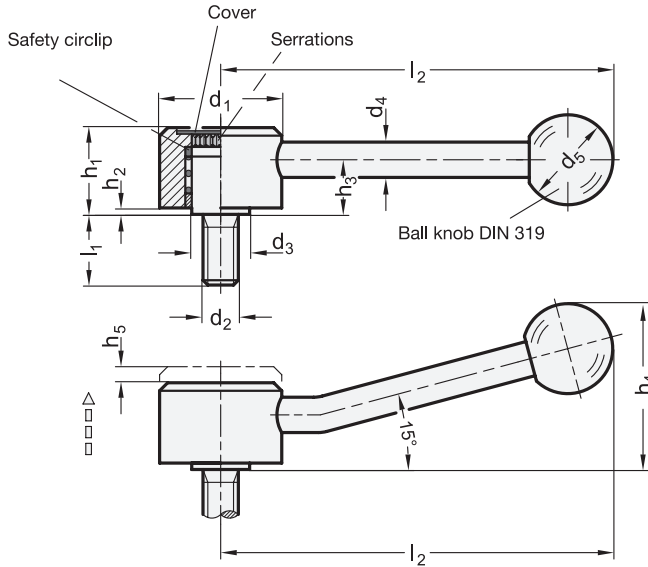
- |                |              |
|----------------|--------------|
| D              | E            |
| Straight lever | Angled lever |

### GN 125.5-With Internal Thread

STAINLESS STEEL

Description	d1	d2	d3	d4	d5	h1	h2	h3	h4 ≈	h5 Stroke	Length l	t min.	⚖
GN 125.5-32-M6-*	32	M 6	13.5	8	20	20.5	1.5	12.5	36	4	100	11	145
GN 125.5-32-M8-*	32	M 8	13.5	8	20	20.5	1.5	12.5	36	4	100	11	129
GN 125.5-36-M8-*	36	M 8	16	10	25	24.5	2	15	45	4.5	120	14	226
GN 125.5-36-M10-*	36	M 10	16	10	25	24.5	2	15	45	4.5	120	14	226
GN 125.5-40-M10-*	40	M 10	19	12	30	30	4	19	53	4.5	130	17	330
GN 125.5-40-M12-*	40	M 12	19	12	30	30	4	19	53	4.5	130	17	324
GN 125.5-45-M12-*	45	M 12	23	12	32	35.5	4	24	64	5	145	22	576
GN 125.5-45-M16-*	45	M 16	23	12	32	35.5	4	24	64	5	145	22	559

Weight type D



\* Complete with

- D Straight lever
- E Angled lever

GN 125.5-With Threaded Stud

STAINLESS STEEL

Description	d1	d2	l1	d3	d4	d5	h1	h2	h3	h4 ≈	h5 Stroke	l2	⚖
GN 125.5-32-M8-12-*	32	M 8	12	13.5	8	20	20.5	1.5	12.5	36	4	100	151
GN 125.5-32-M8-16-*	32	M 8	16	13.5	8	20	20.5	1.5	12.5	36	4	100	152
GN 125.5-32-M8-20-*	32	M 8	20	13.5	8	20	20.5	1.5	12.5	36	4	100	153
GN 125.5-32-M8-25-*	32	M 8	25	13.5	8	20	20.5	1.5	12.5	36	4	100	155
GN 125.5-32-M8-32-*	32	M 8	32	13.5	8	20	20.5	1.5	12.5	36	4	100	157
GN 125.5-32-M8-40-*	32	M 8	40	13.5	8	20	20.5	1.5	12.5	36	4	100	159
GN 125.5-32-M8-50-*	32	M 8	50	13.5	8	20	20.5	1.5	12.5	36	4	100	163
GN 125.5-36-M10-16-*	36	M 10	16	16	10	25	24.5	2	15	45	4.5	120	239
GN 125.5-36-M10-20-*	36	M 10	20	16	10	25	24.5	2	15	45	4.5	120	241
GN 125.5-36-M10-25-*	36	M 10	25	16	10	25	24.5	2	15	45	4.5	120	243
GN 125.5-36-M10-32-*	36	M 10	32	16	10	25	24.5	2	15	45	4.5	120	246
GN 125.5-36-M10-40-*	36	M 10	40	16	10	25	24.5	2	15	45	4.5	120	251
GN 125.5-36-M10-50-*	36	M 10	50	16	10	25	24.5	2	15	45	4.5	120	256
GN 125.5-36-M10-63-*	36	M 10	63	16	10	25	24.5	2	15	45	4.5	120	263
GN 125.5-36-M10-80-*	36	M 10	80	16	10	25	24.5	2	15	45	4.5	120	270
GN 125.5-40-M12-25-*	40	M 12	25	19	12	30	30	4	19	53	4.5	130	358
GN 125.5-40-M12-32-*	40	M 12	32	19	12	30	30	4	19	53	4.5	130	363
GN 125.5-40-M12-40-*	40	M 12	40	19	12	30	30	4	19	53	4.5	130	368
GN 125.5-40-M12-50-*	40	M 12	50	19	12	30	30	4	19	53	4.5	130	374
GN 125.5-40-M12-63-*	40	M 12	63	19	12	30	30	4	19	53	4.5	130	385
GN 125.5-40-M12-80-*	40	M 12	80	19	12	30	30	4	19	53	4.5	130	396
GN 125.5-45-M16-32-*	45	M 16	32	23	12	32	35.5	4	24	64	5	145	635
GN 125.5-45-M16-40-*	45	M 16	40	23	12	32	35.5	4	24	64	5	145	646
GN 125.5-45-M16-50-*	45	M 16	50	23	12	32	35.5	4	24	64	5	145	662
GN 125.5-45-M16-63-*	45	M 16	63	23	12	32	35.5	4	24	64	5	145	677
GN 125.5-45-M16-80-*	45	M 16	80	23	12	32	35.5	4	24	64	5	145	699

Weight type D

